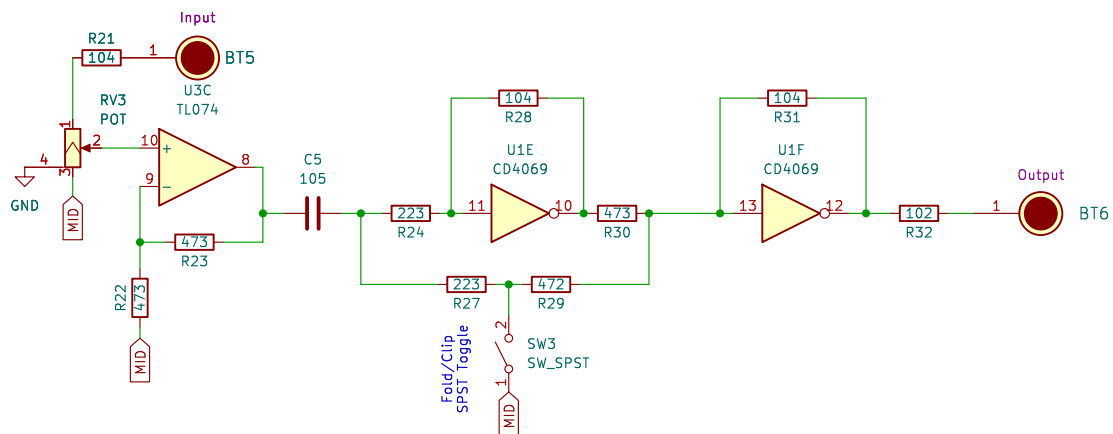


Non-commercial Use Only Please



LM

File: CMOS_Folder.kicad_sch

Title: CMOS_Folder

Size: A4	Date: 2025-02-21	Rev: 0
KiCad E.D.A. 9.0.0		Id: 1/1

CC BY-NC-SA 4.0 License. Some Rights Reserved